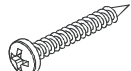
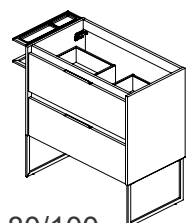
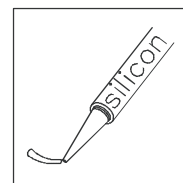
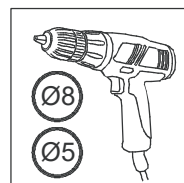
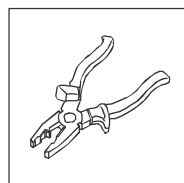
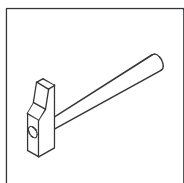
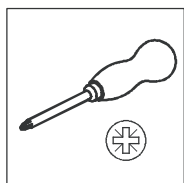
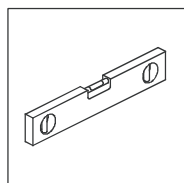
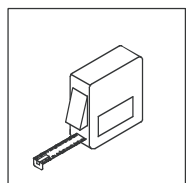
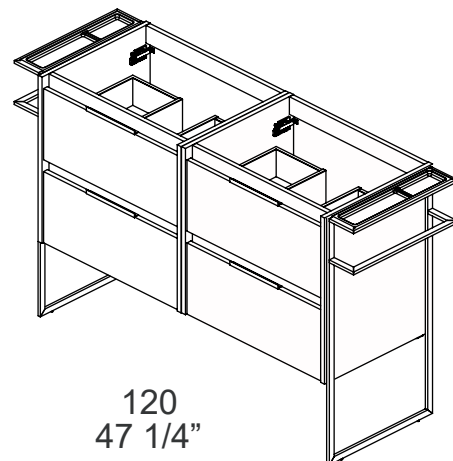
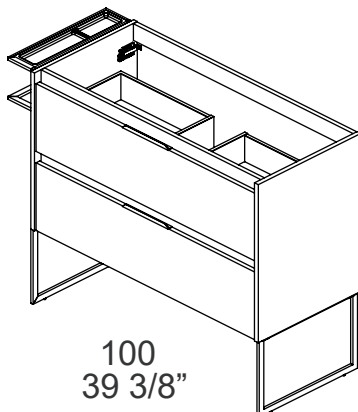
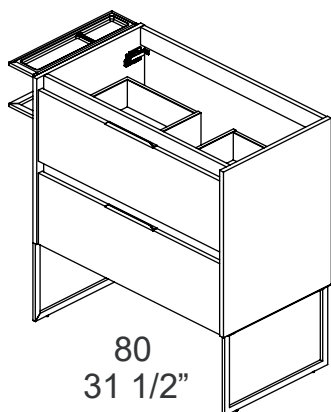
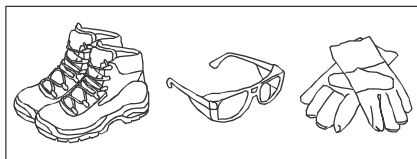
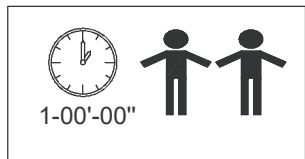
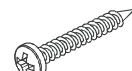
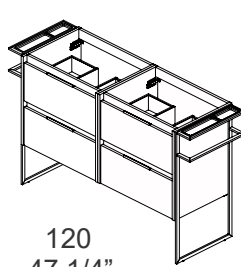


# Keiko

# AMIZUVA



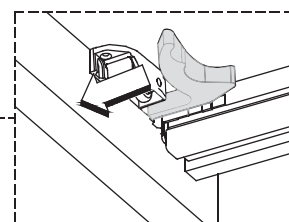
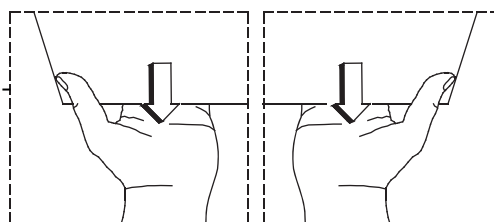
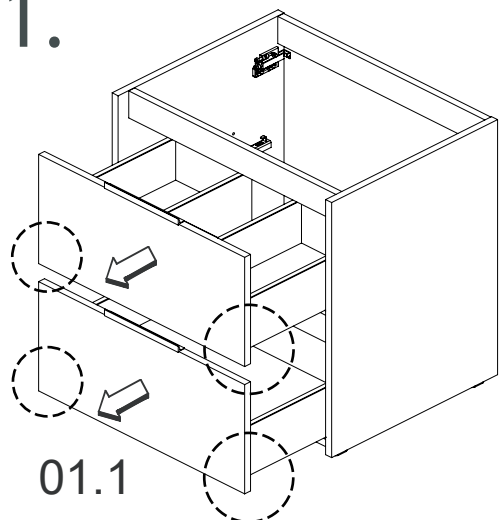
BO-719



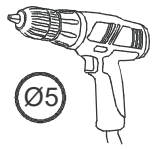
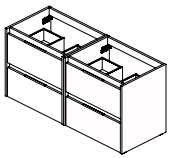
BO-719

BO-266

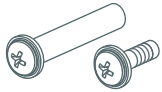
## 01.



# 02.



Ø5



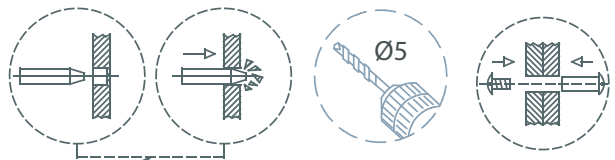
T2x2

60cm  
23 5/8"

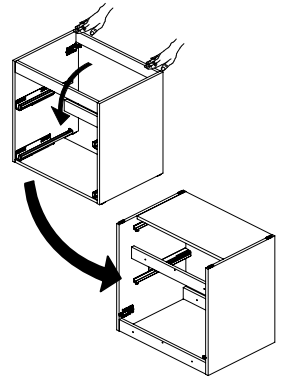
120cm  
47 1/4"

60cm  
23 5/8"

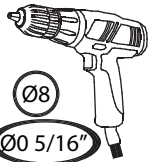
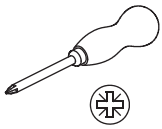
02.1



02.2

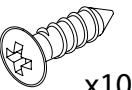
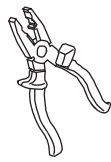


# 03.



Ø8

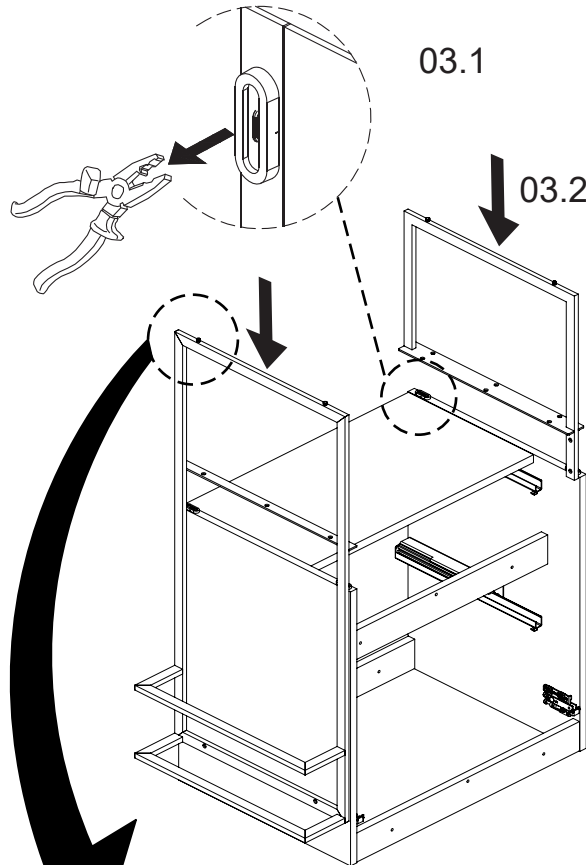
Ø0 5/16"



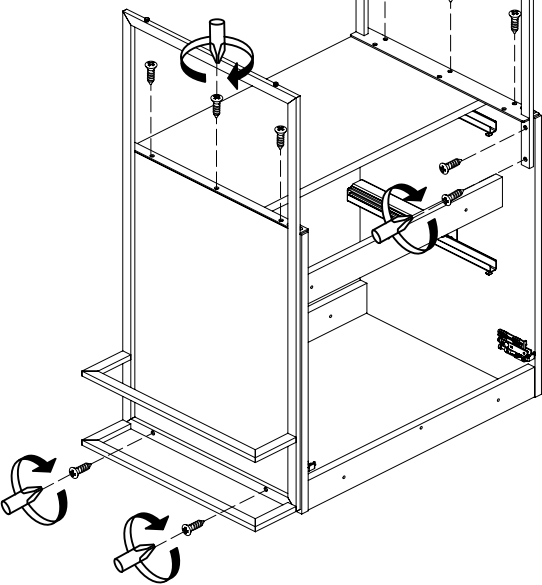
x10

03.1

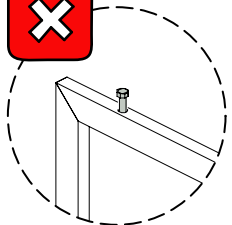
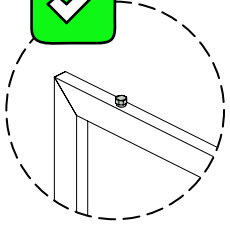
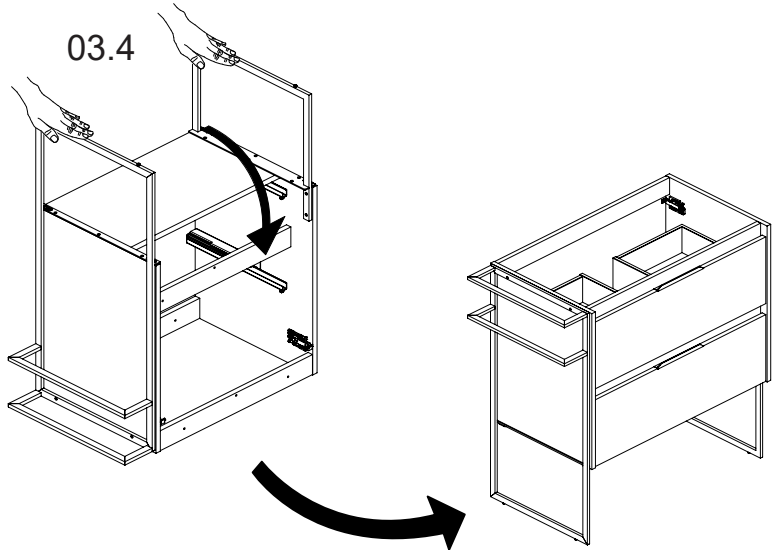
03.3



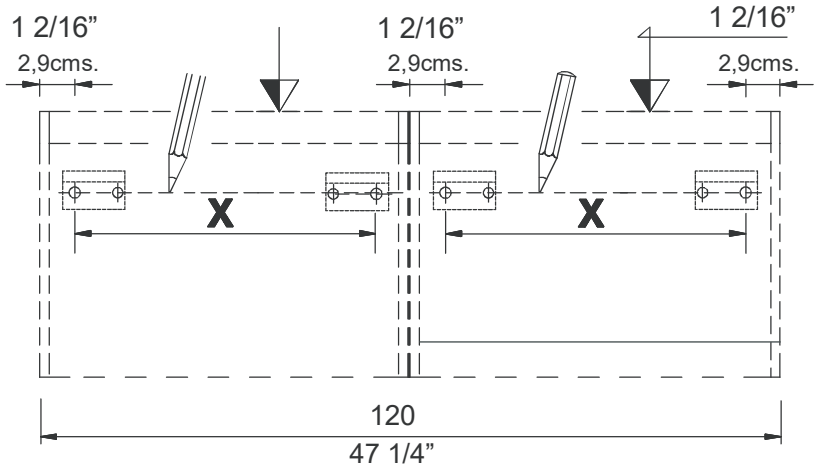
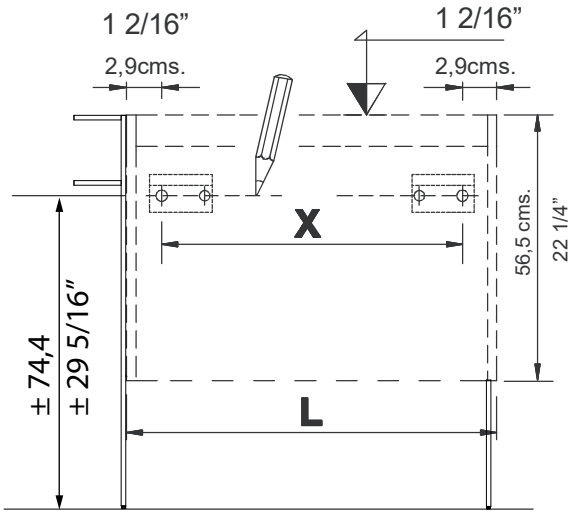
03.2



03.4

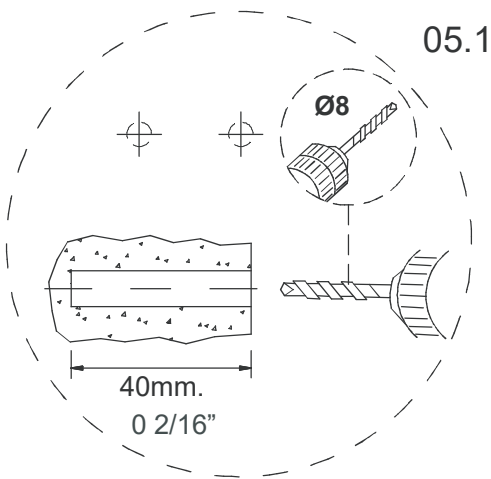


# 04.

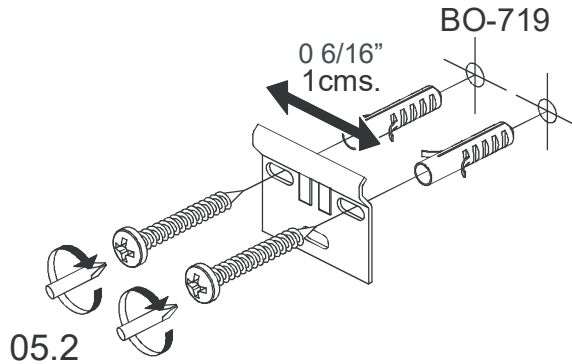
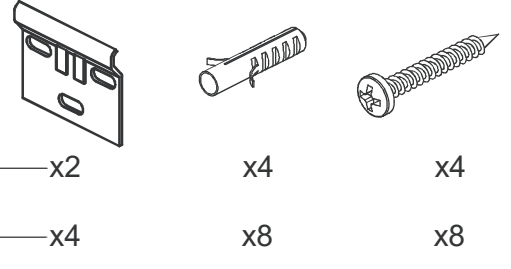


L: 80cms.	→ X=73,7cms.	L: 31 1/2"	→ X=29 0/16"
L: 100cms.	→ X=93,7cms.	L: 39 3/8"	→ X=36 14/16"
L: 120cms.	→ X=53,7cms.	L: 47 1/4"	→ X=21 2/16"

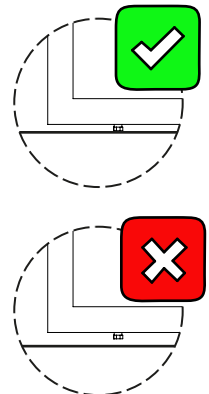
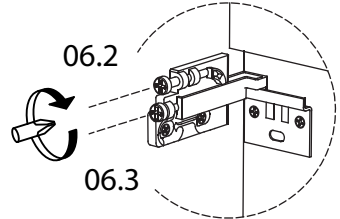
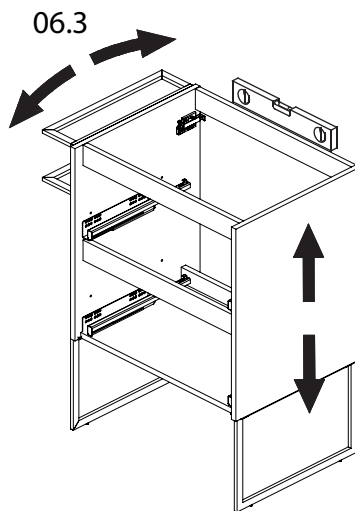
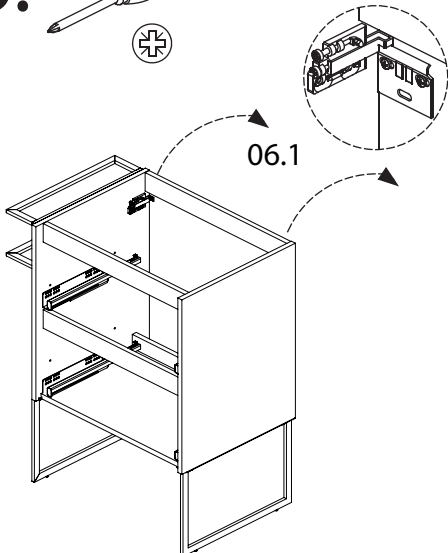
# 05.



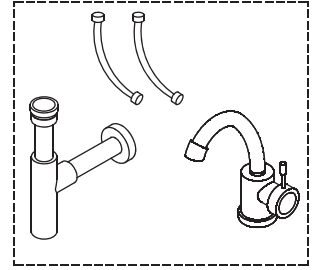
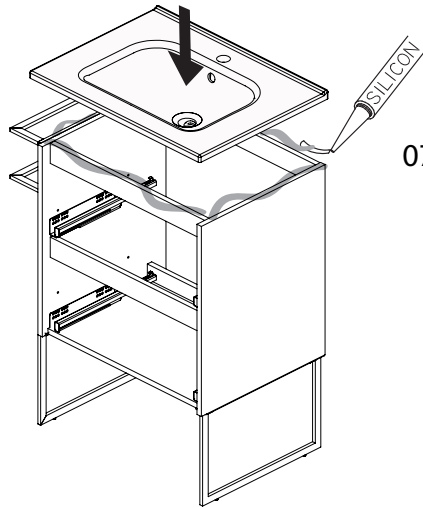
MLV-80/100  
31 1/2" 39 3/8"  
MLV-120  
47 1/4"



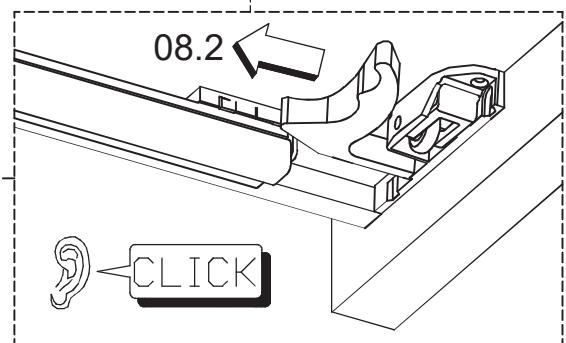
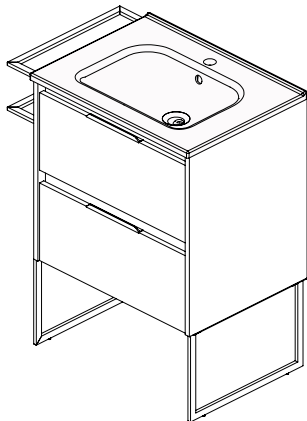
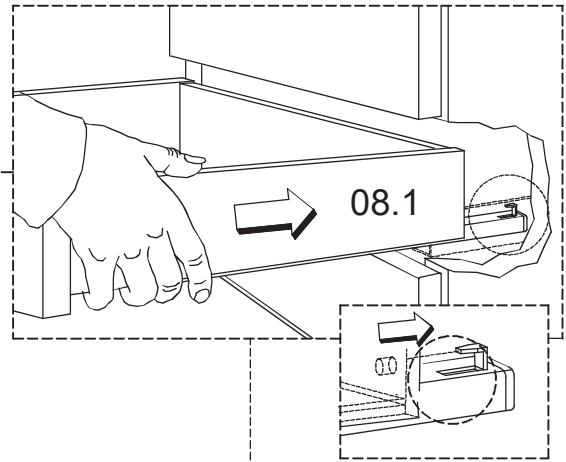
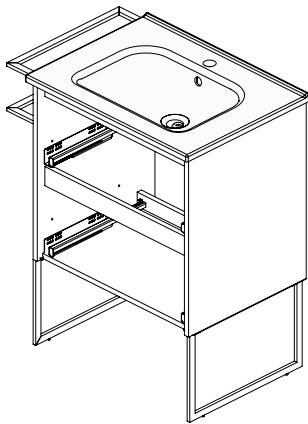
# 06.



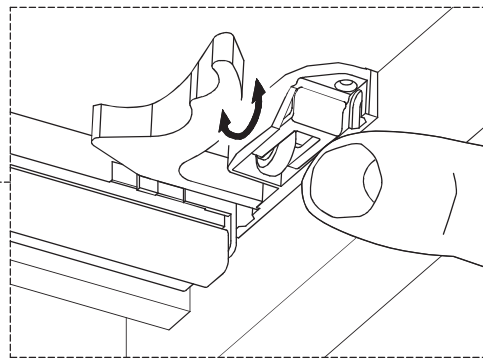
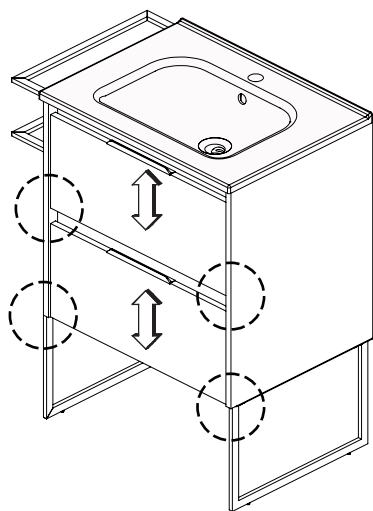
07.



08.



09.



## Posizionamento del sifone:

