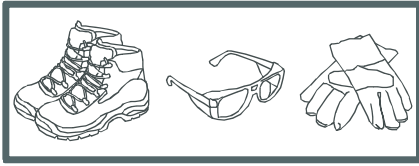
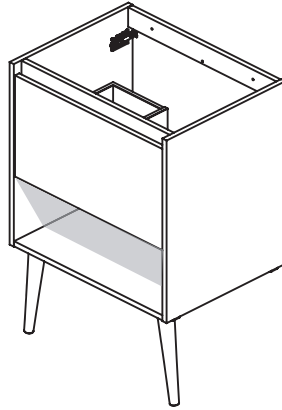


Nara

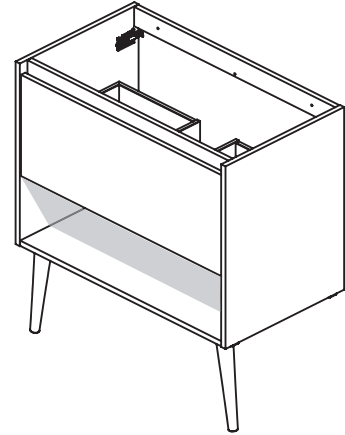
AMIZUVA



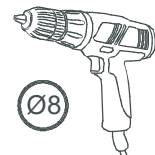
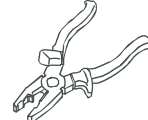
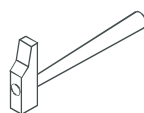
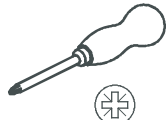
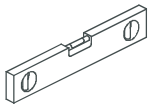
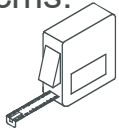
60



80



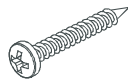
cms.



x2

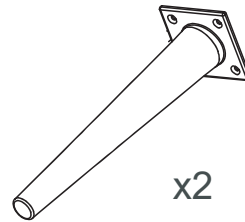


x4



x4

BO-719

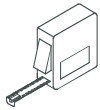


x2

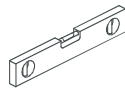


x8

01.



cms.

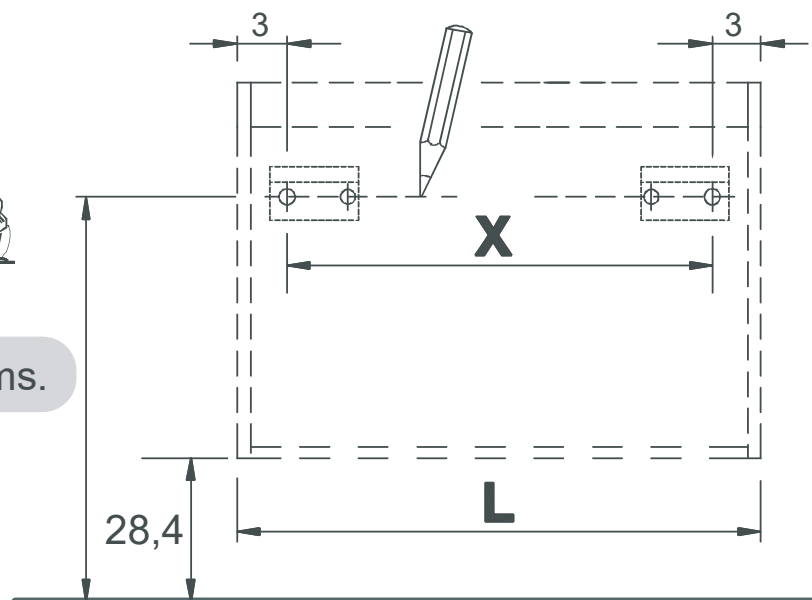


L:59,5cms. → X=53,5cms.

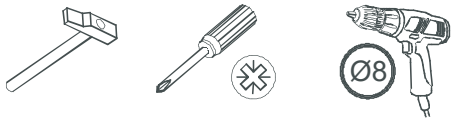
L:79,5cms. → X=73,5cms.



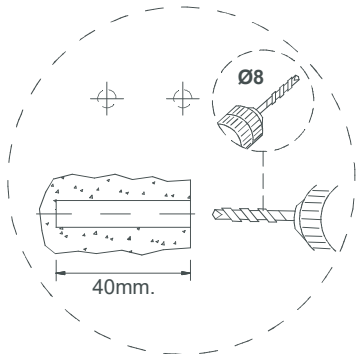
74cms.



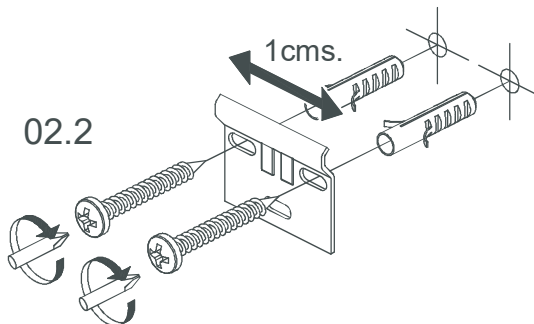
02.



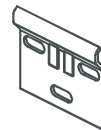
02.1



02.2



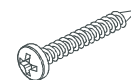
x2



x4



x4

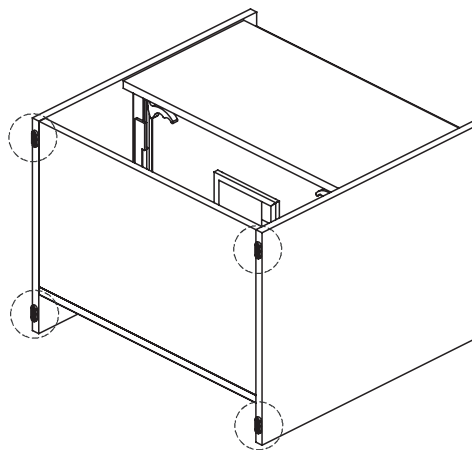
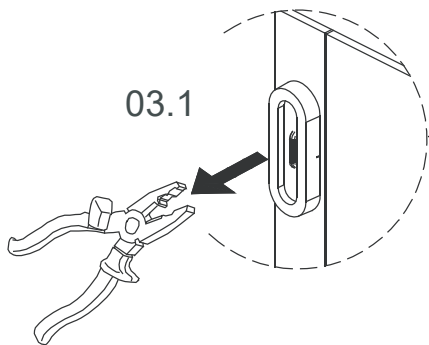


BO-719

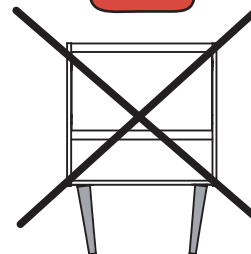
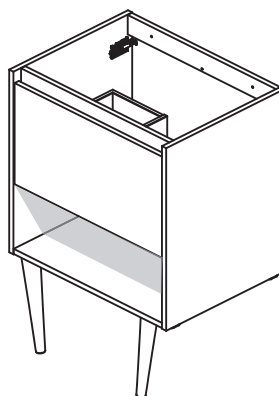
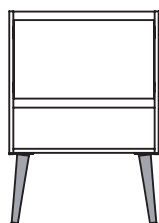
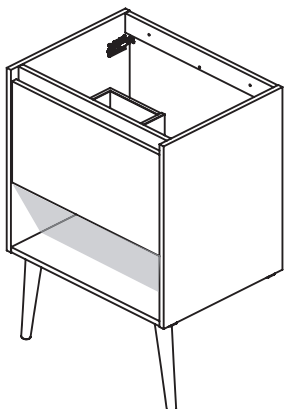
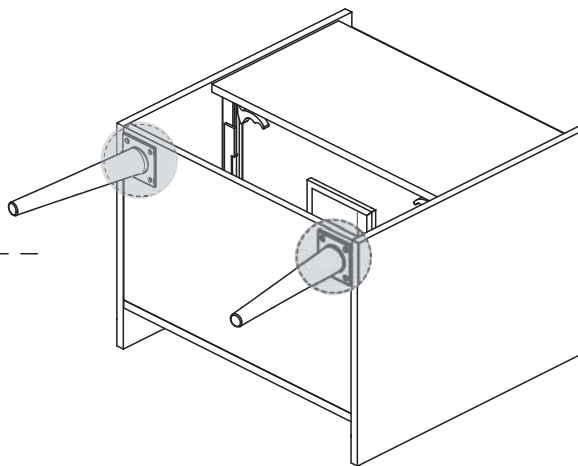
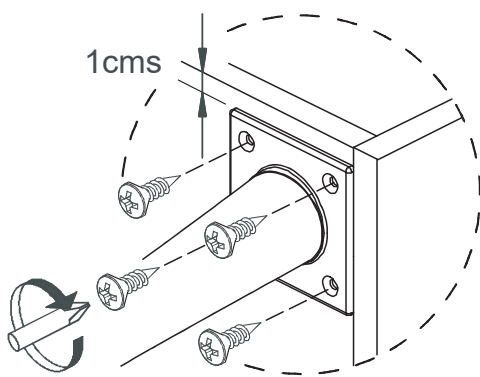
03.



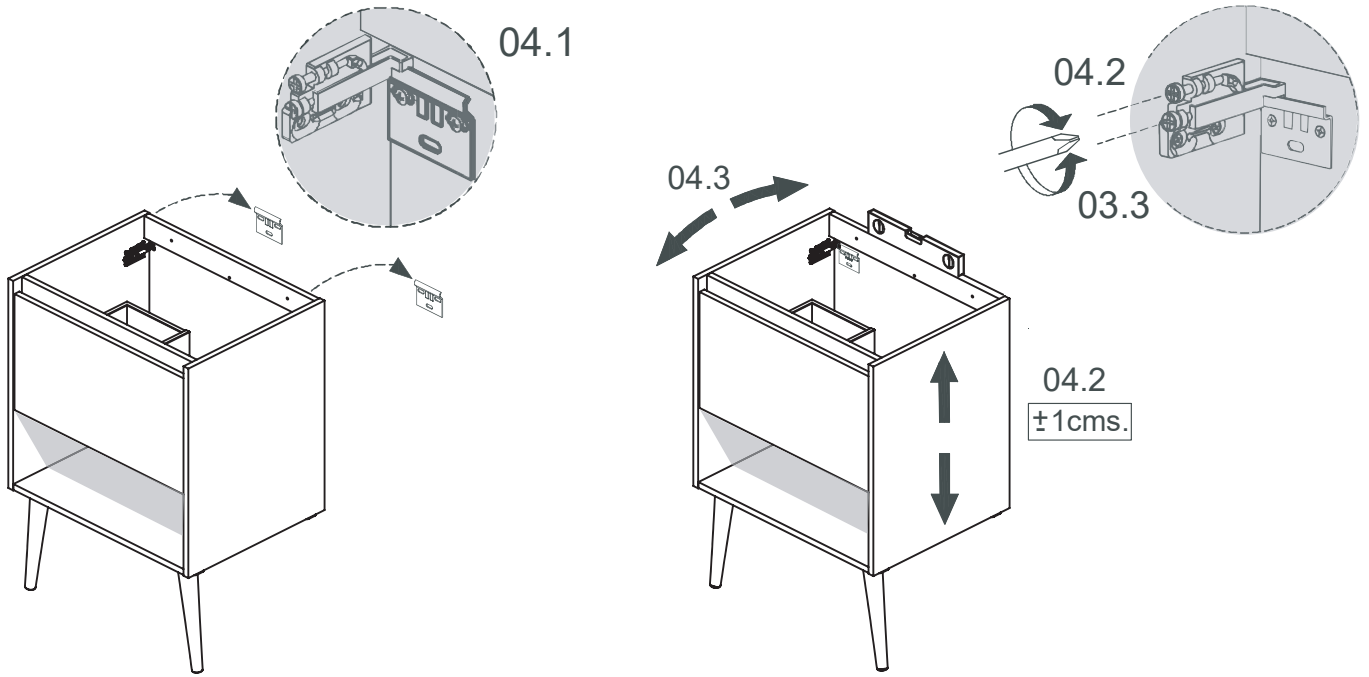
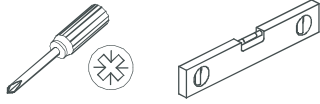
03.1



03.2



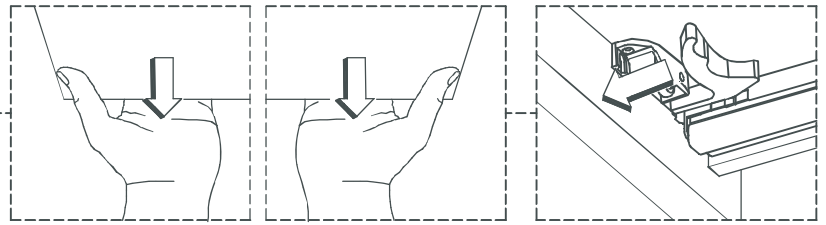
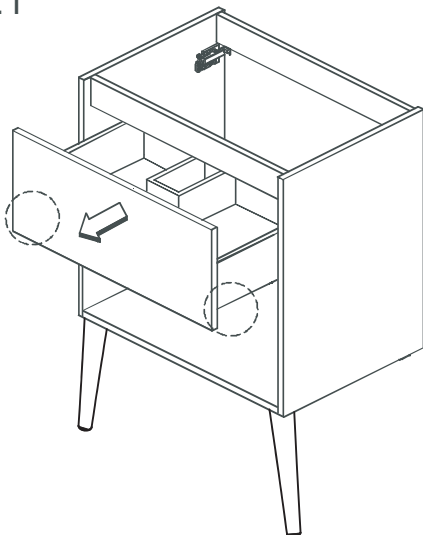
04.



05.

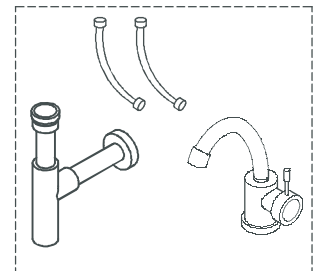
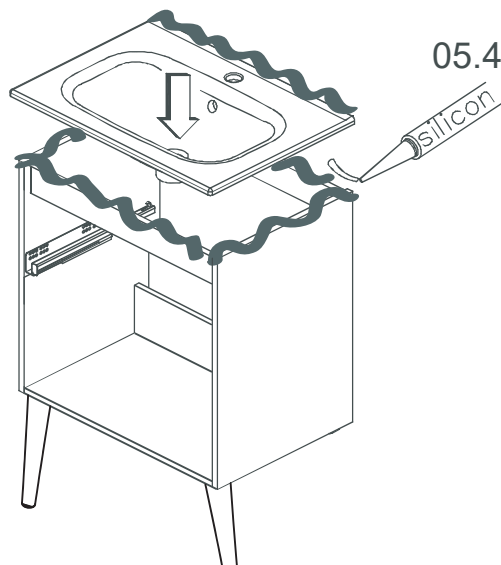


05.1



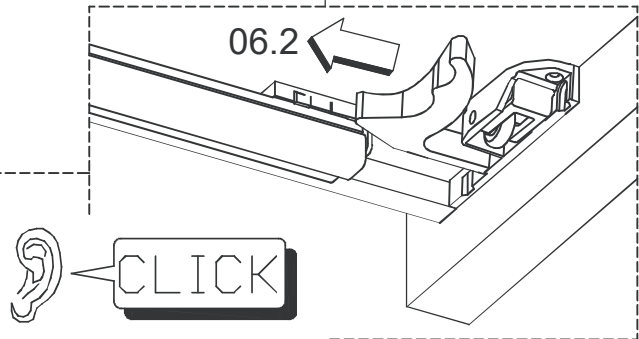
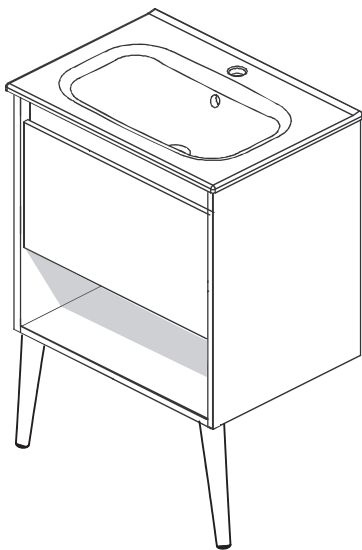
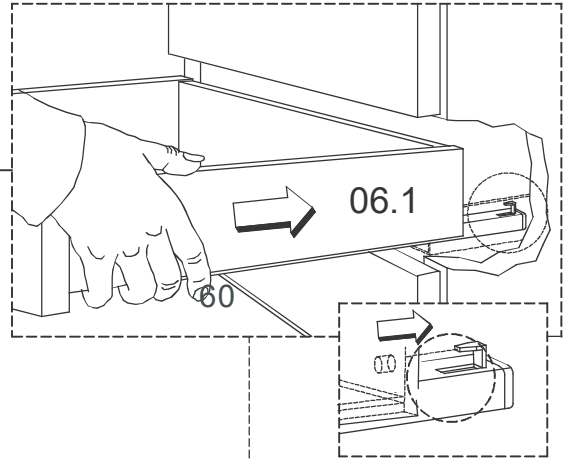
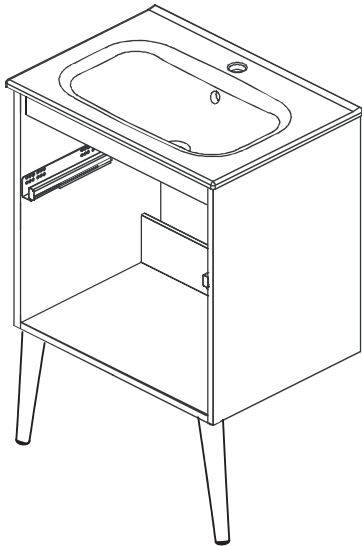
05.2

05.3

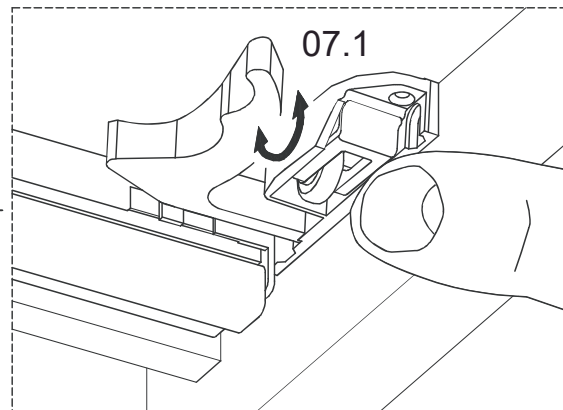
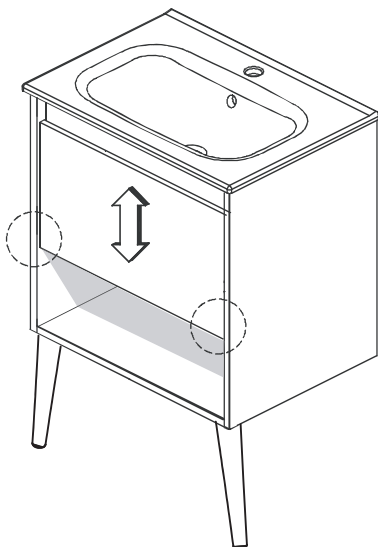


05.5

06.



07.



Posizionamento del sifone:

