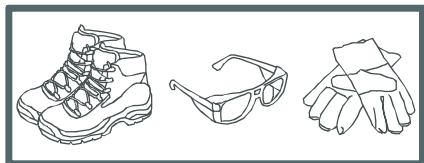
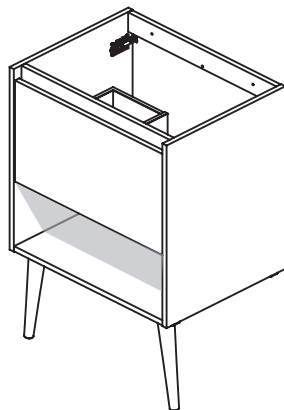


Nara Top

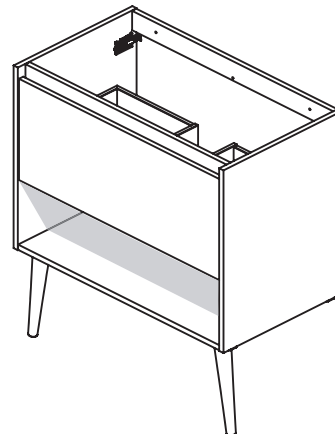
AMIZUVA



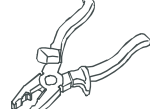
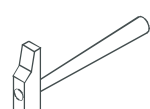
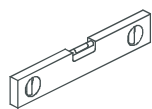
60



80



cms.



x2

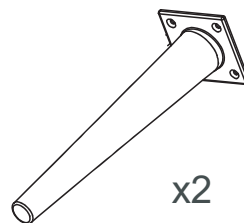


x4



x4

BO-719

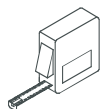


x2

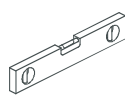


x8

01.



cms.

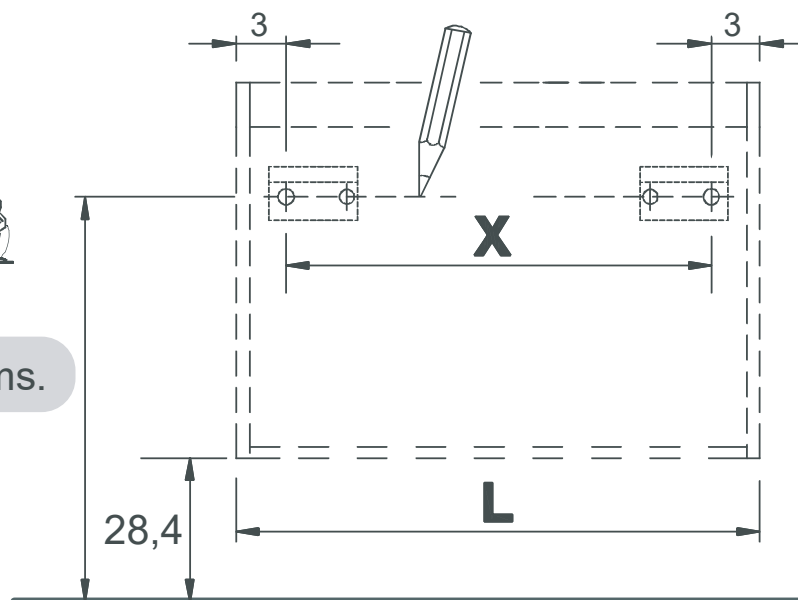


L:59,5cms. → X=53,5cms.

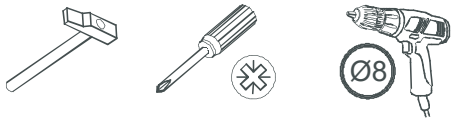
L:79,5cms. → X=73,5cms.



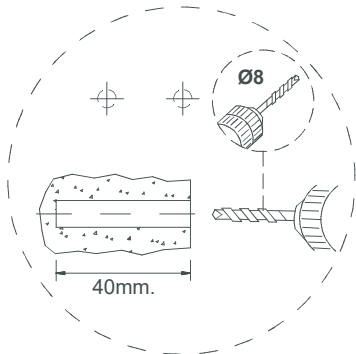
74cms.



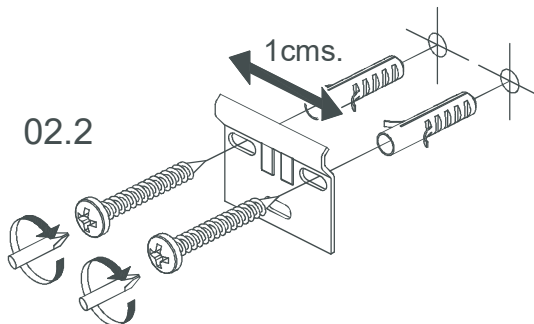
02.



02.1



02.2



x2



x4



x4

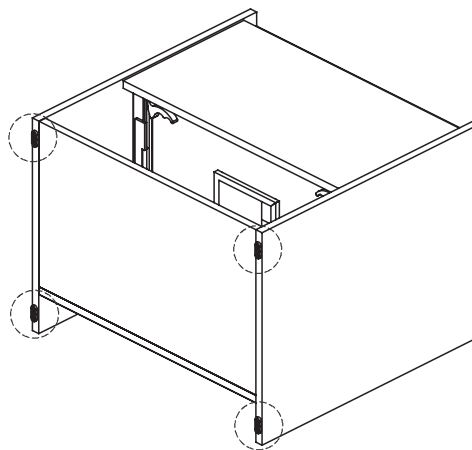
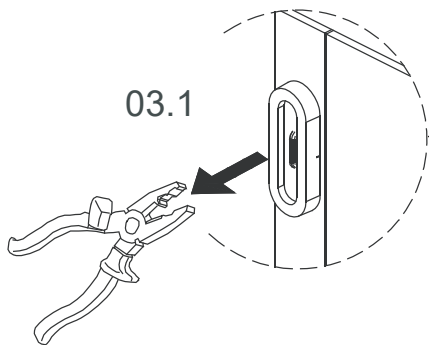


BO-719

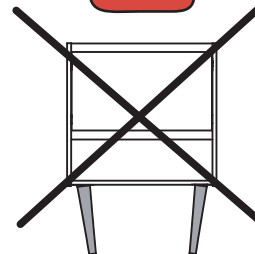
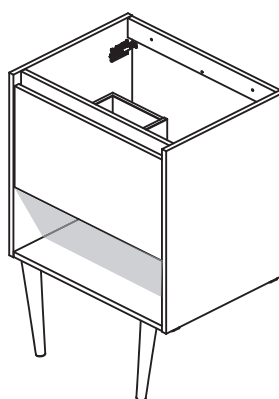
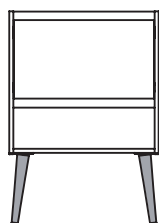
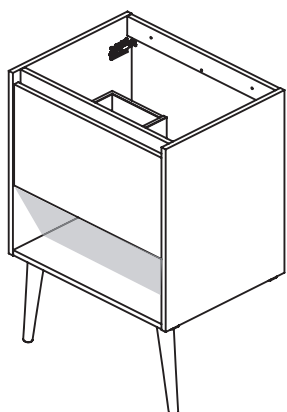
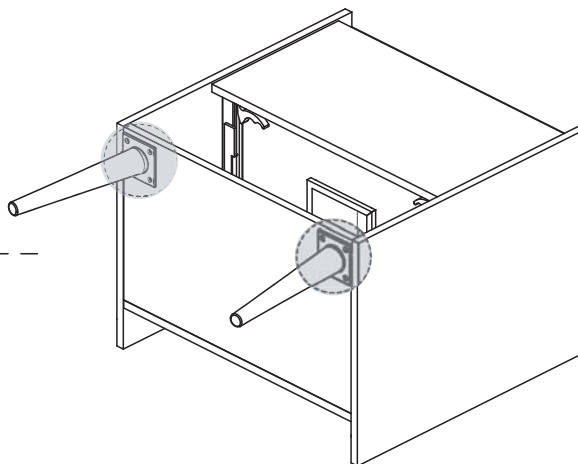
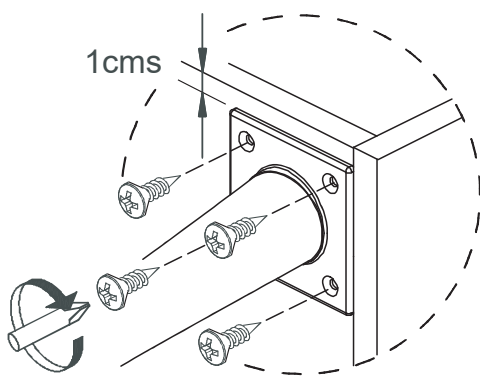
03.



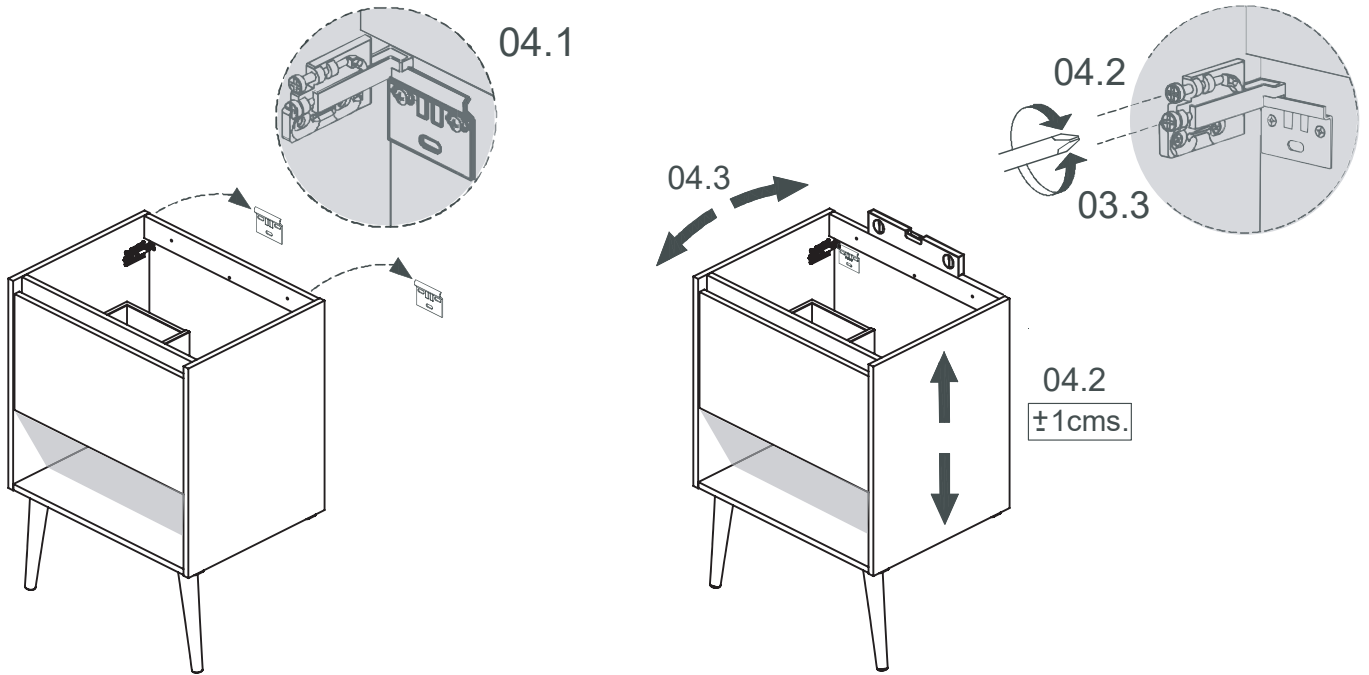
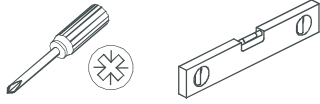
03.1



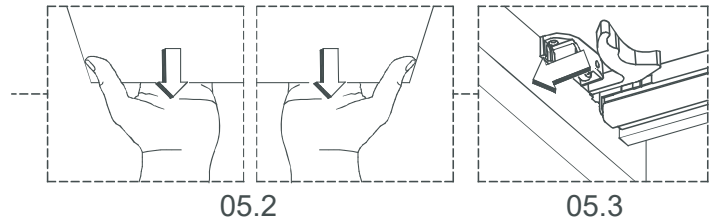
03.2



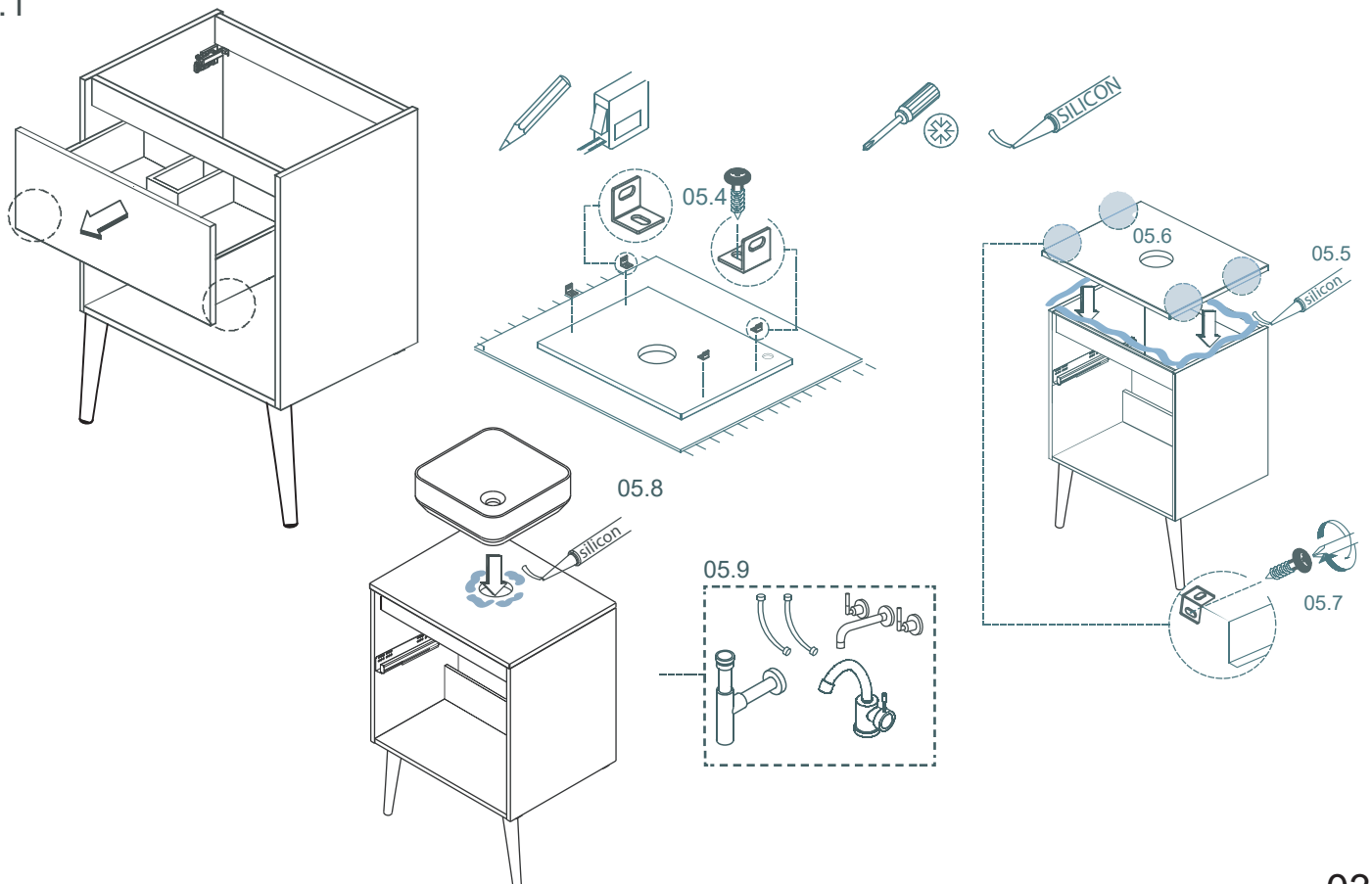
04.



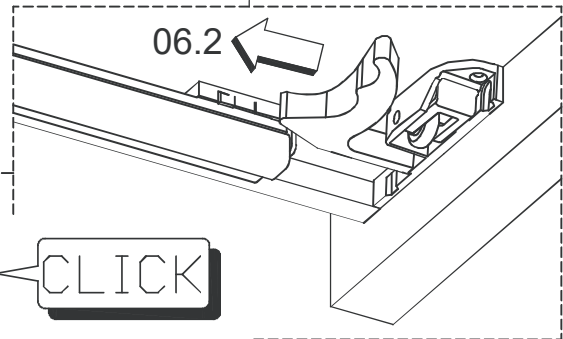
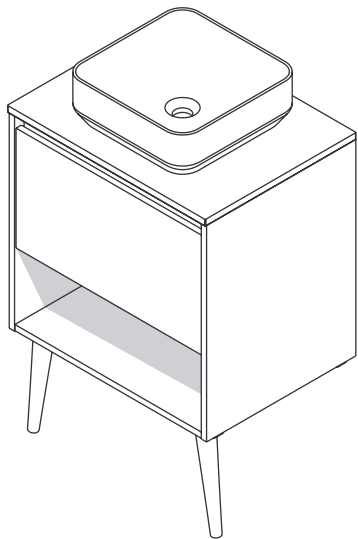
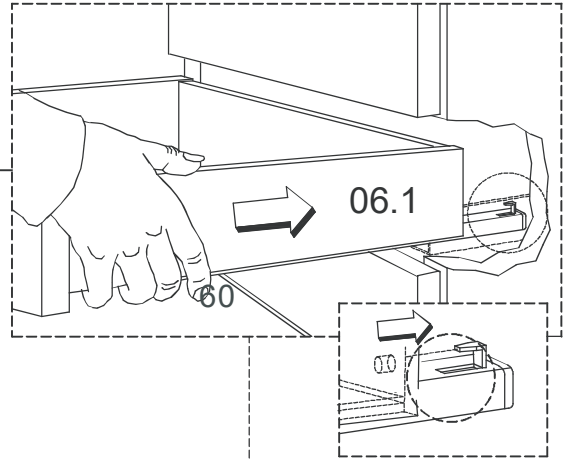
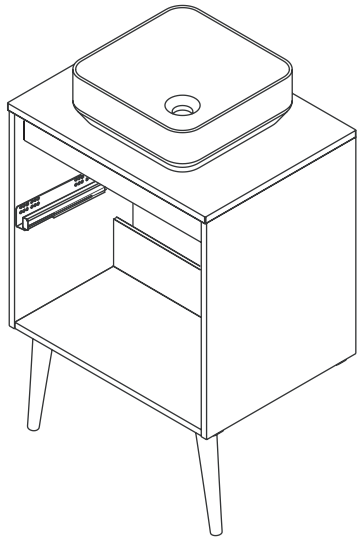
05.



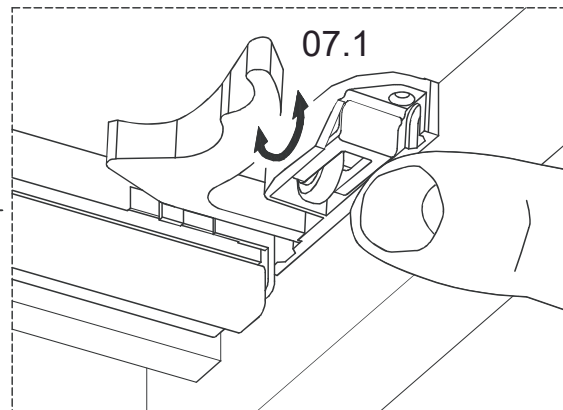
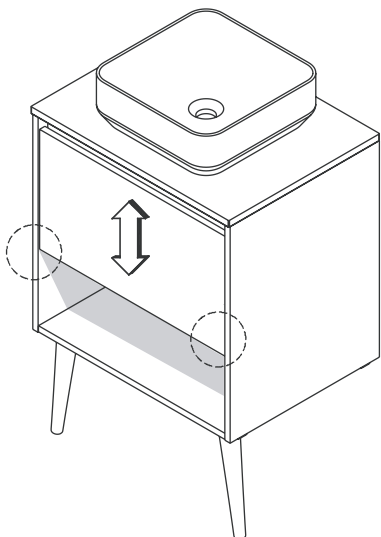
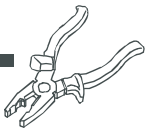
05.1



06.



07.



Posizionamento del sifone:

