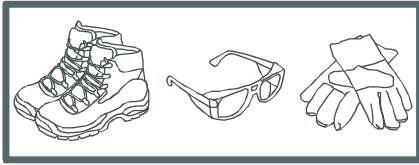
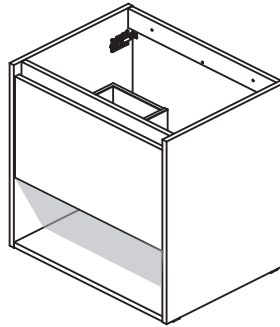


# Niwa

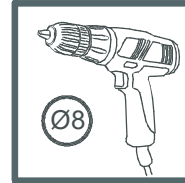
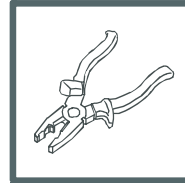
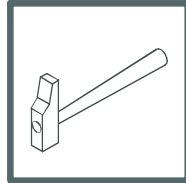
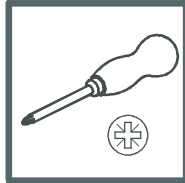
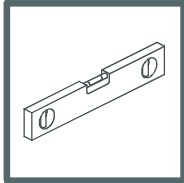
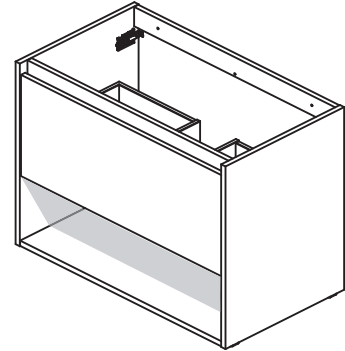
# AMIZUVA



60



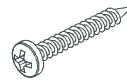
80



x2



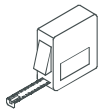
x4



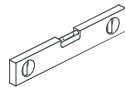
x4

BO-719

01.

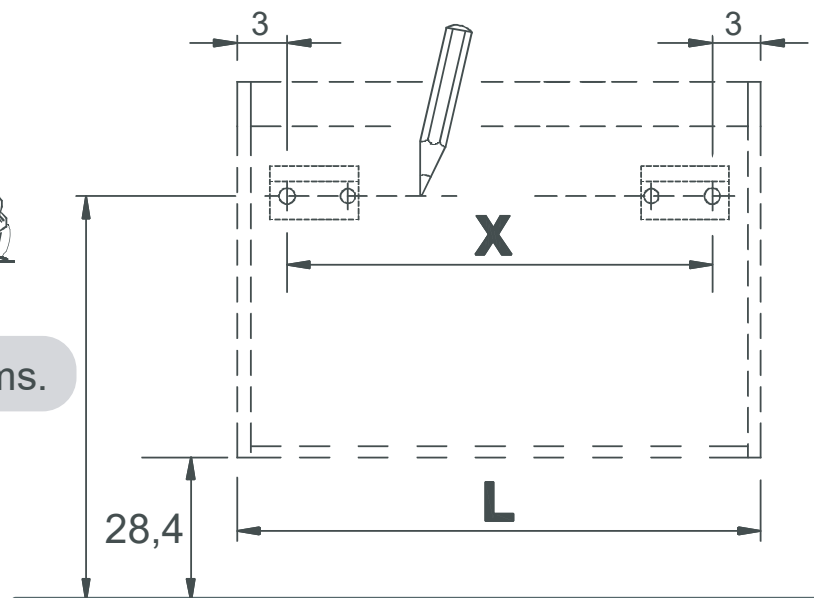


cms.

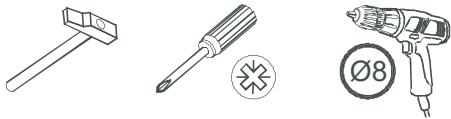


L:59,5cms. → X=53,5cms.  
L:79,5cms. → X=73,5cms.

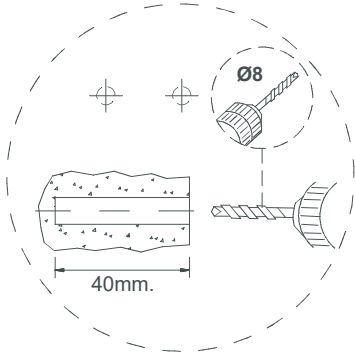
74cms.



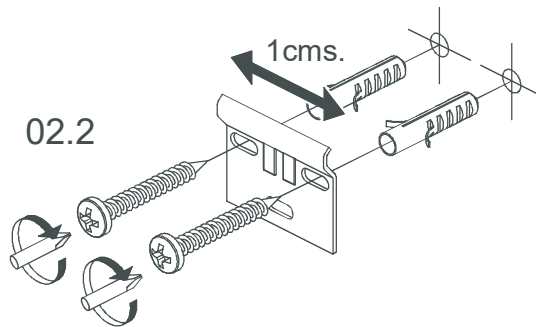
02.



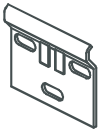
02.1



02.2



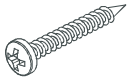
x2



x4



x4

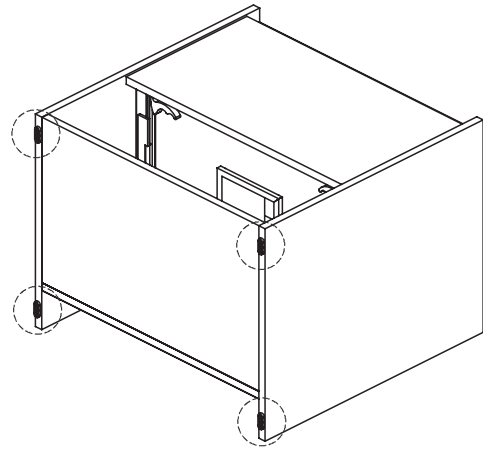
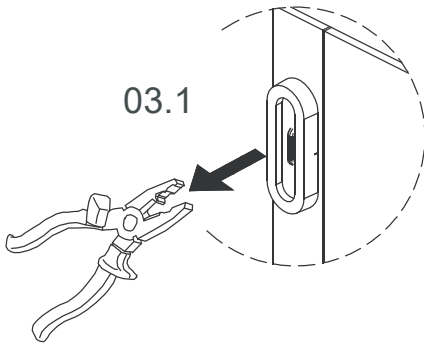


BO-719

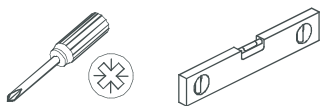
03.



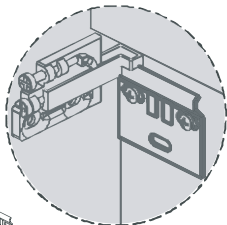
03.1



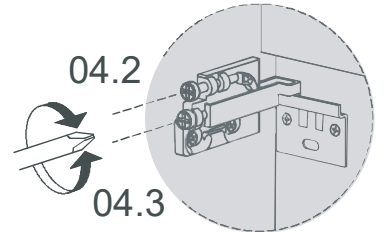
04.



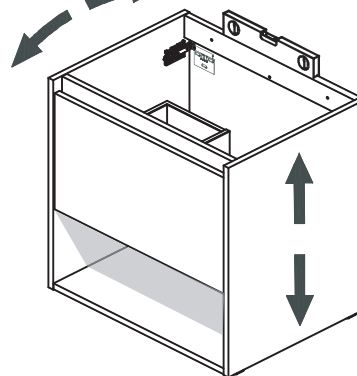
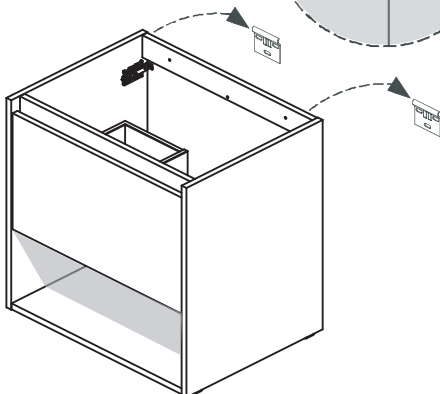
04.1



04.2



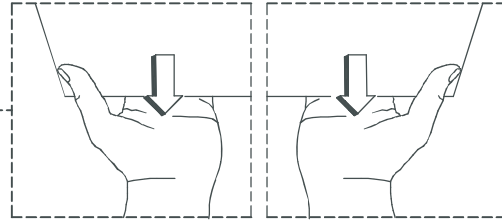
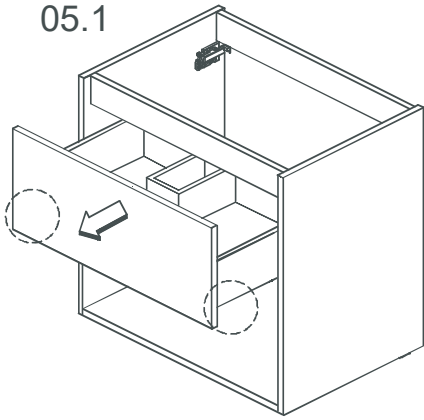
04.3



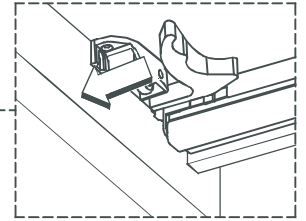
# 05.



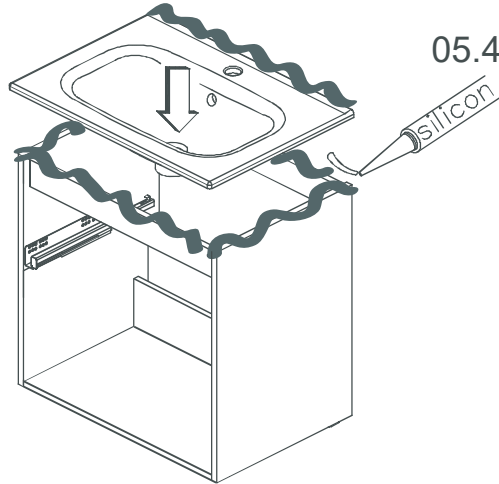
05.1



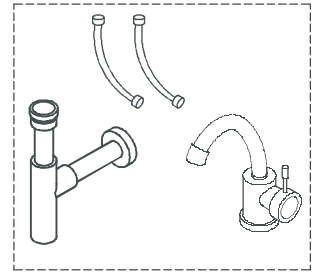
05.2



05.3

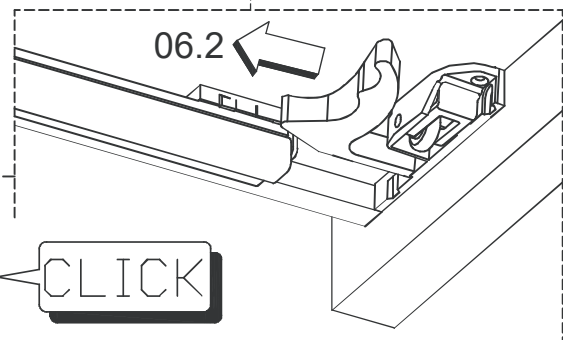
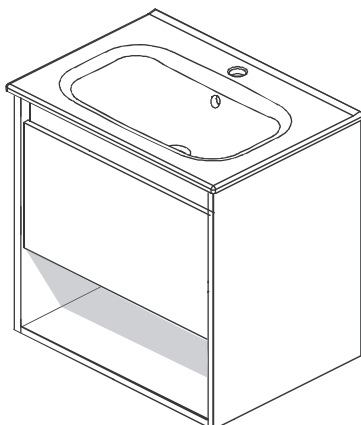
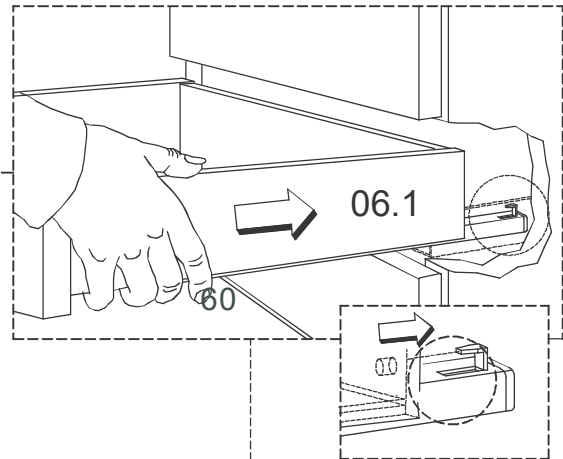
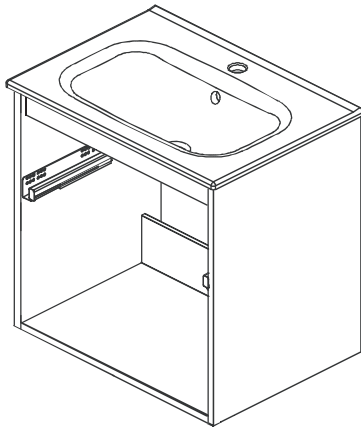


05.4

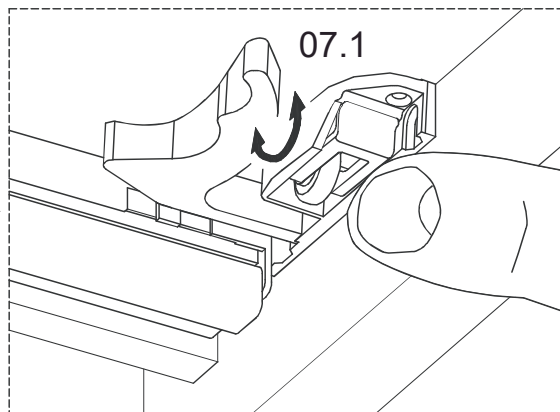
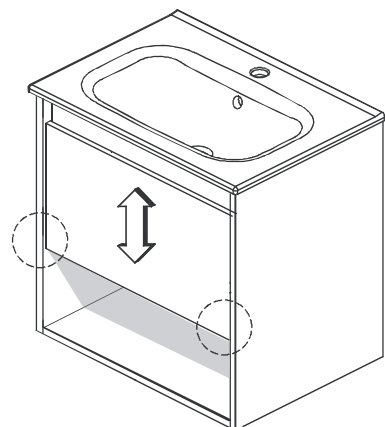


05.5

# 06.



# 07.



## Posizionamento del sifone:

