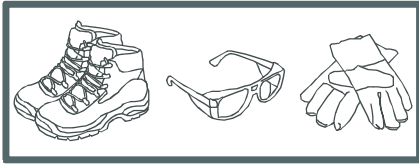
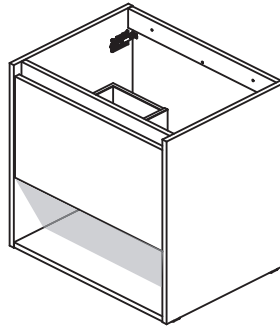


# Niwa Top

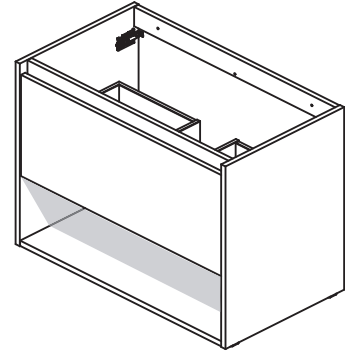
# AMIZUVA



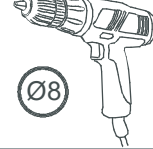
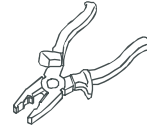
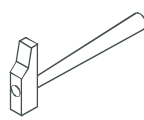
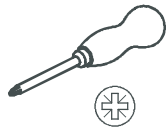
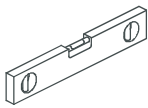
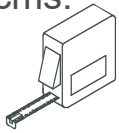
60



80



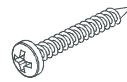
cms.



x2



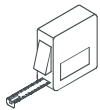
x4



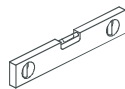
x4

BO-719

01.



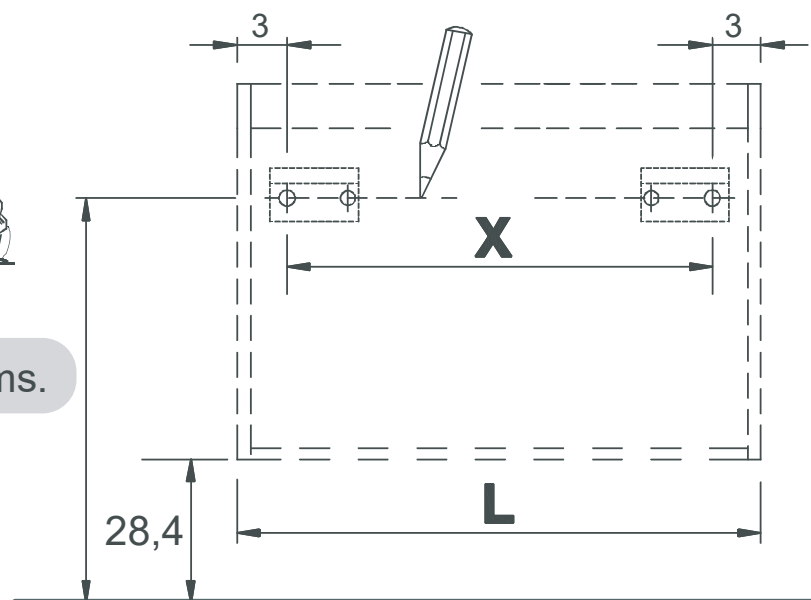
cms.



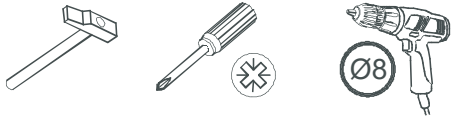
L:59,5cms. → X=53,5cms.

L:79,5cms. → X=73,5cms.

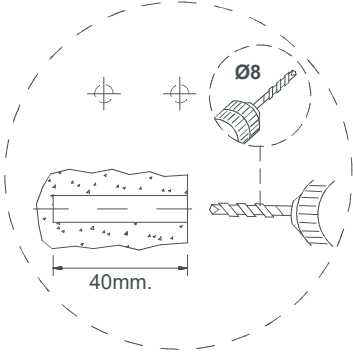
74cms.



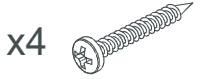
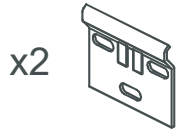
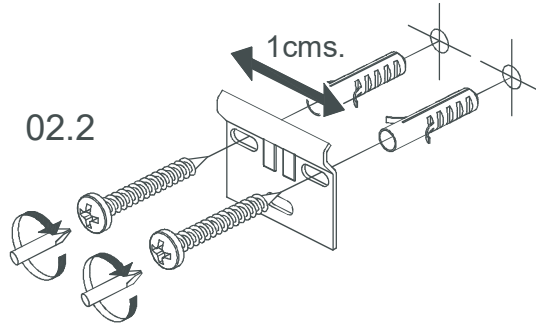
02.



02.1



02.2

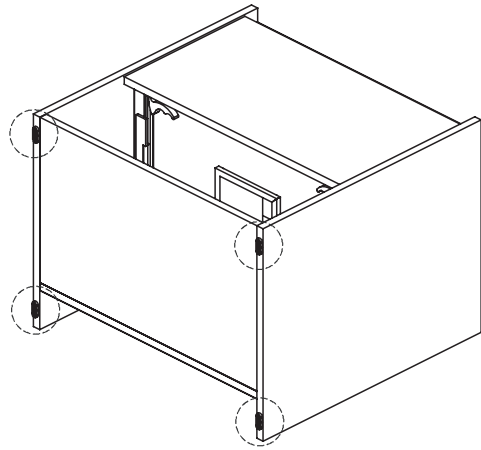
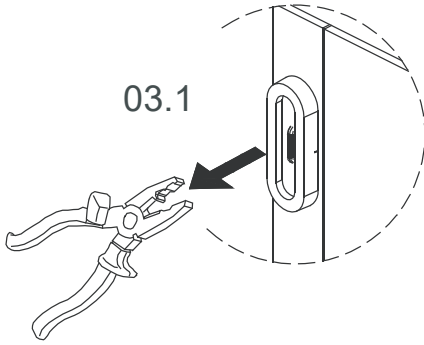


BO-719

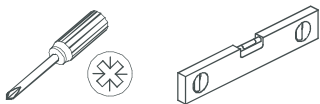
03.



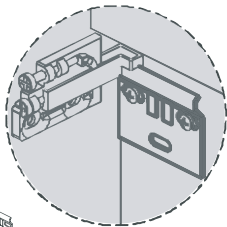
03.1



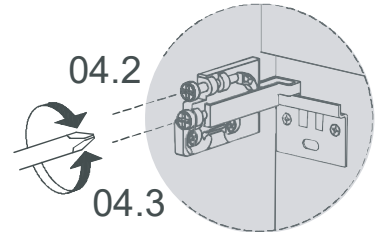
04.



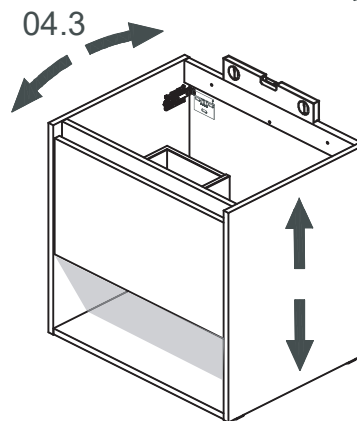
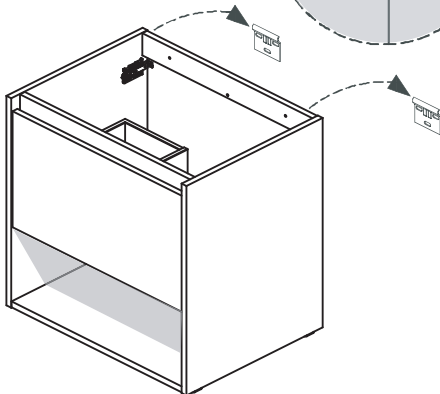
04.1



04.2

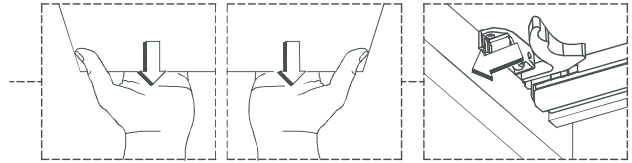


04.3



04.2  
±1cms.

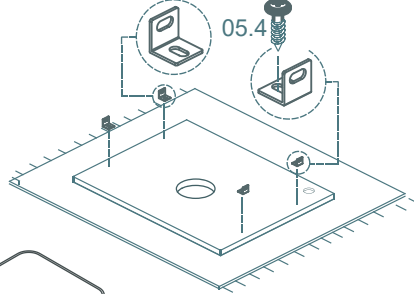
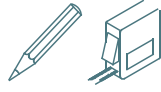
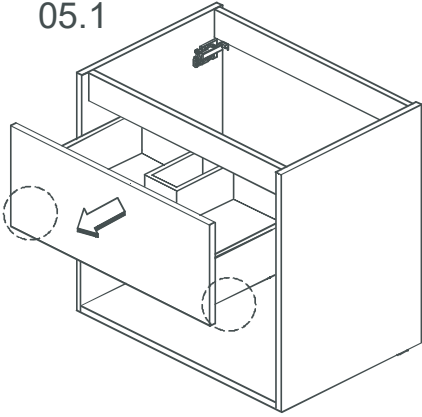
# 05.



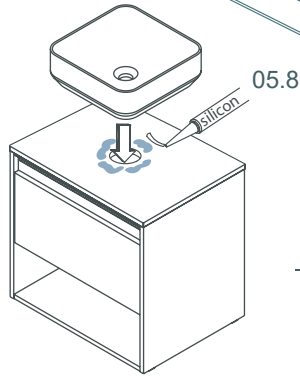
05.2

05.3

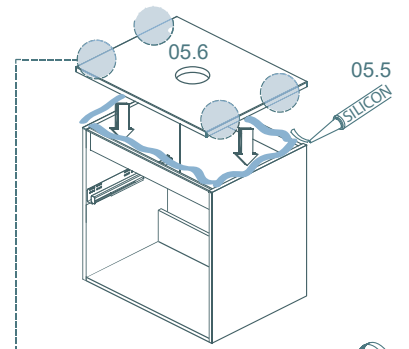
05.1



05.4

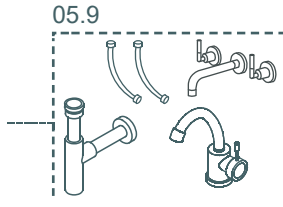


05.8

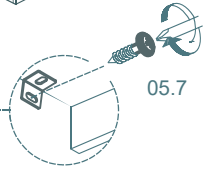


05.5

05.6

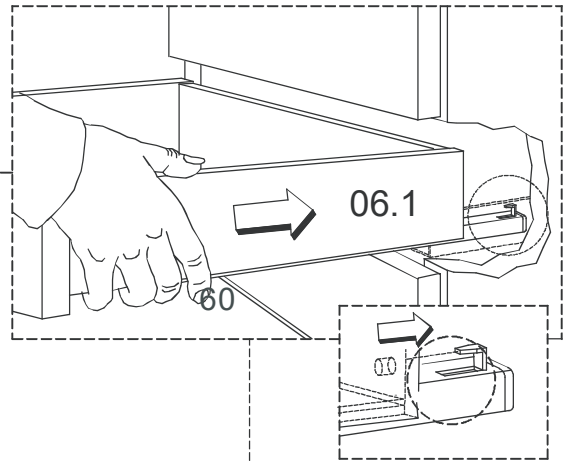
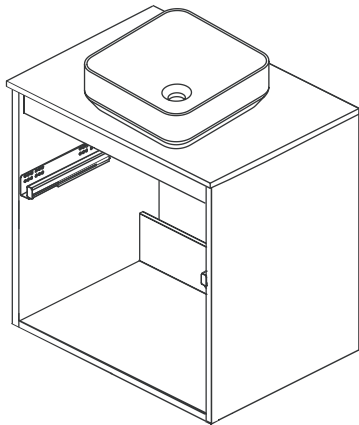


05.9



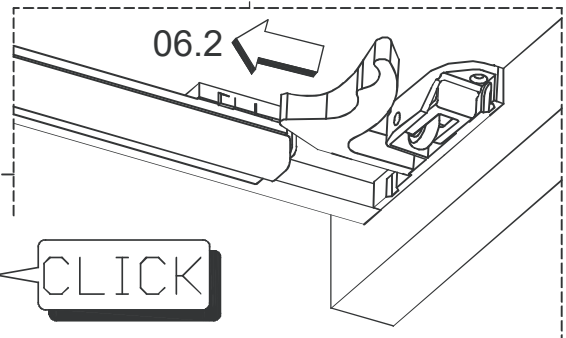
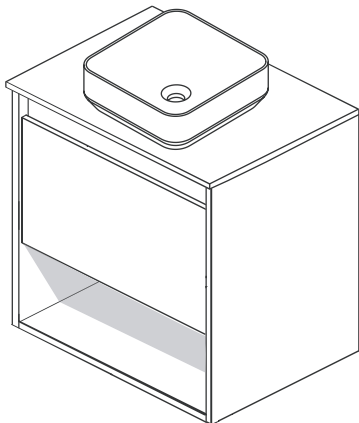
05.7

# 06.



06.1

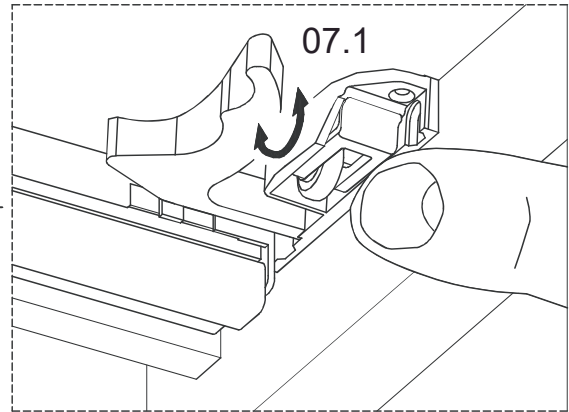
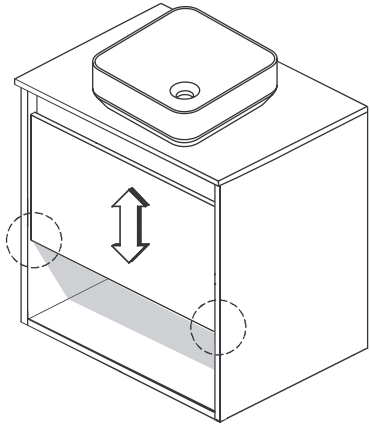
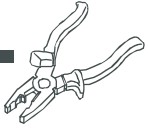
60



06.2



# 07.



## Posizionamento del sifone:

