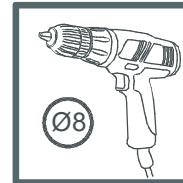
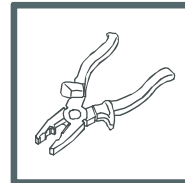
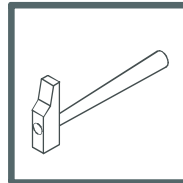
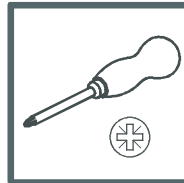
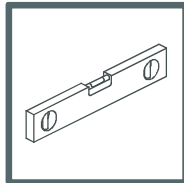
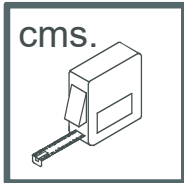
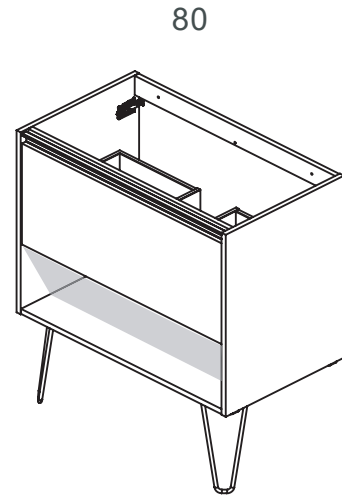
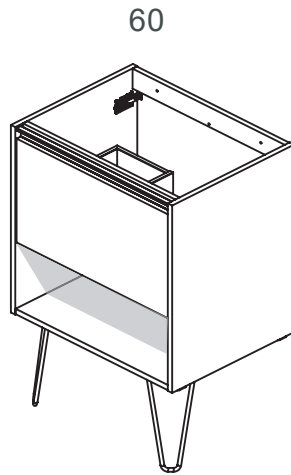
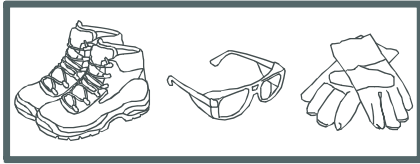


# Yoko Top

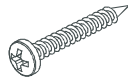
# AMIZUVA



x2

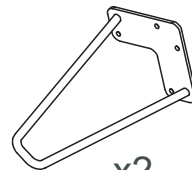


x4



x4

BO-719



x2



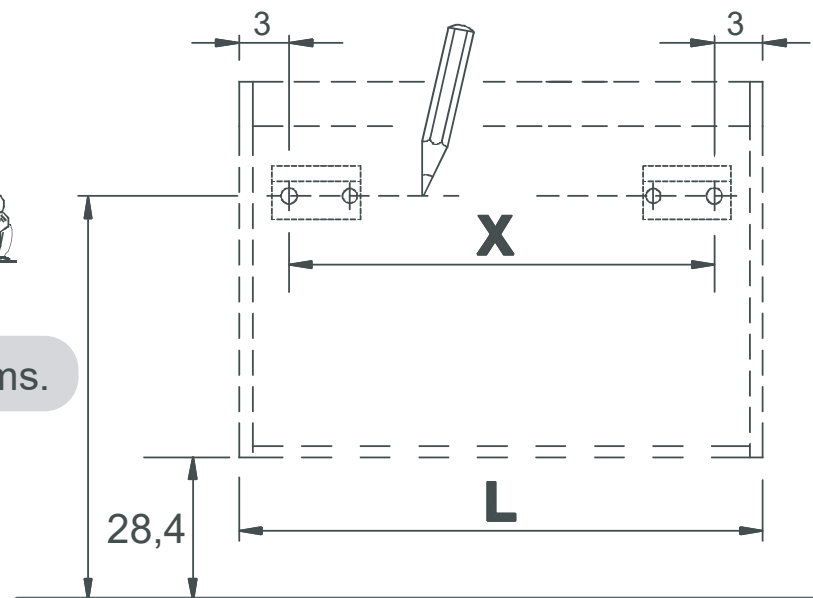
x8

01. cms.

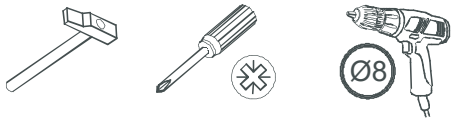
L:59,5cms. → X=53,5cms.  
L:79,5cms. → X=73,5cms.



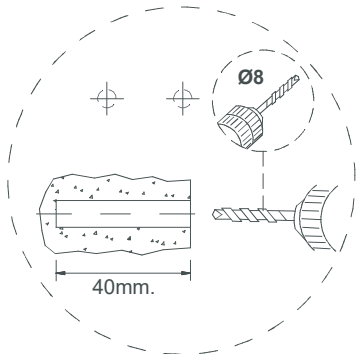
74cms.



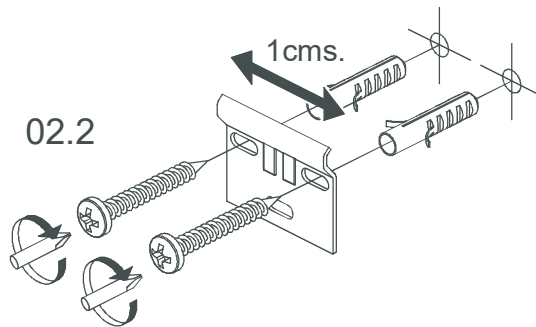
02.



02.1



02.2



x2



x4



x4

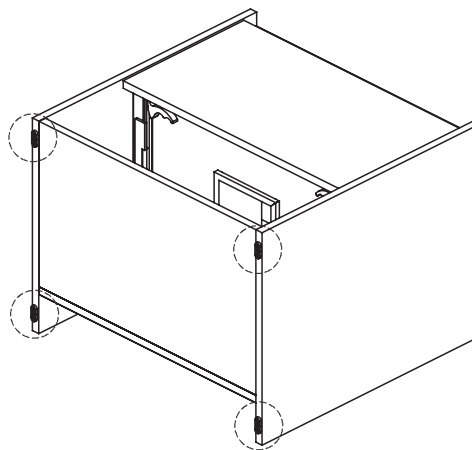
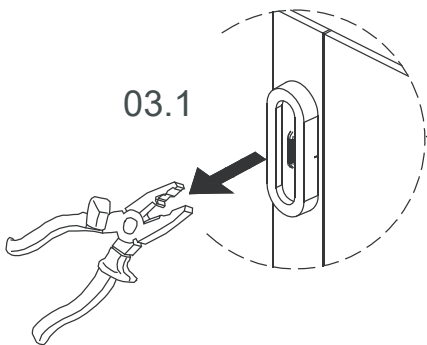


BO-719

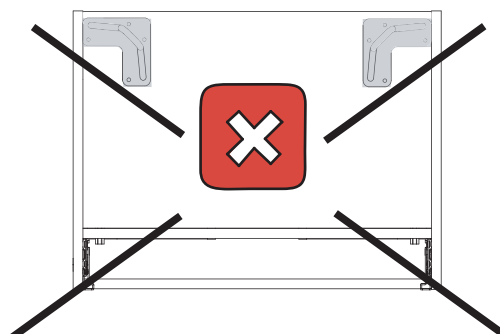
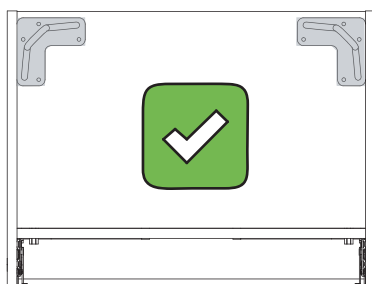
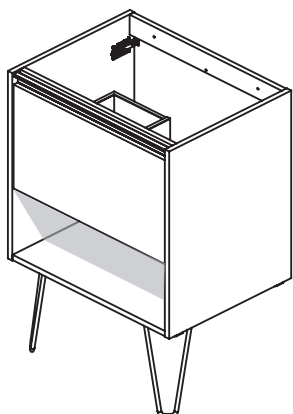
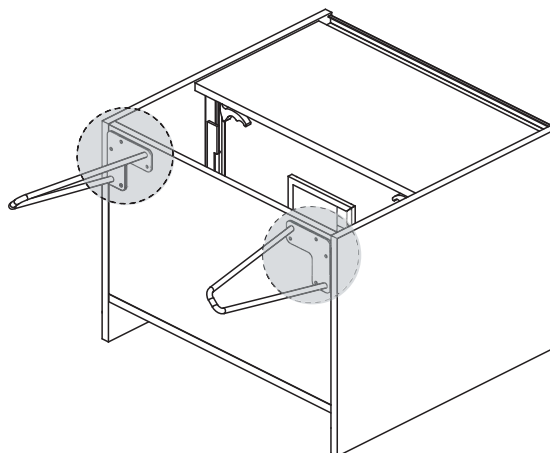
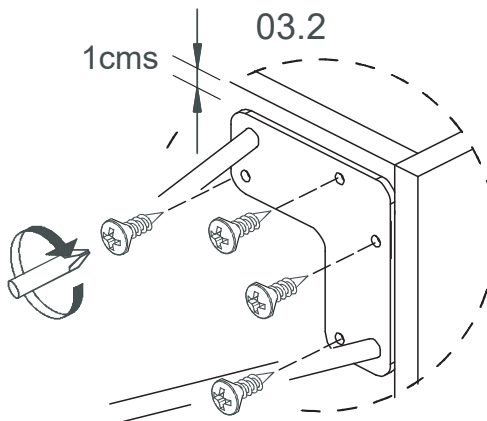
03.



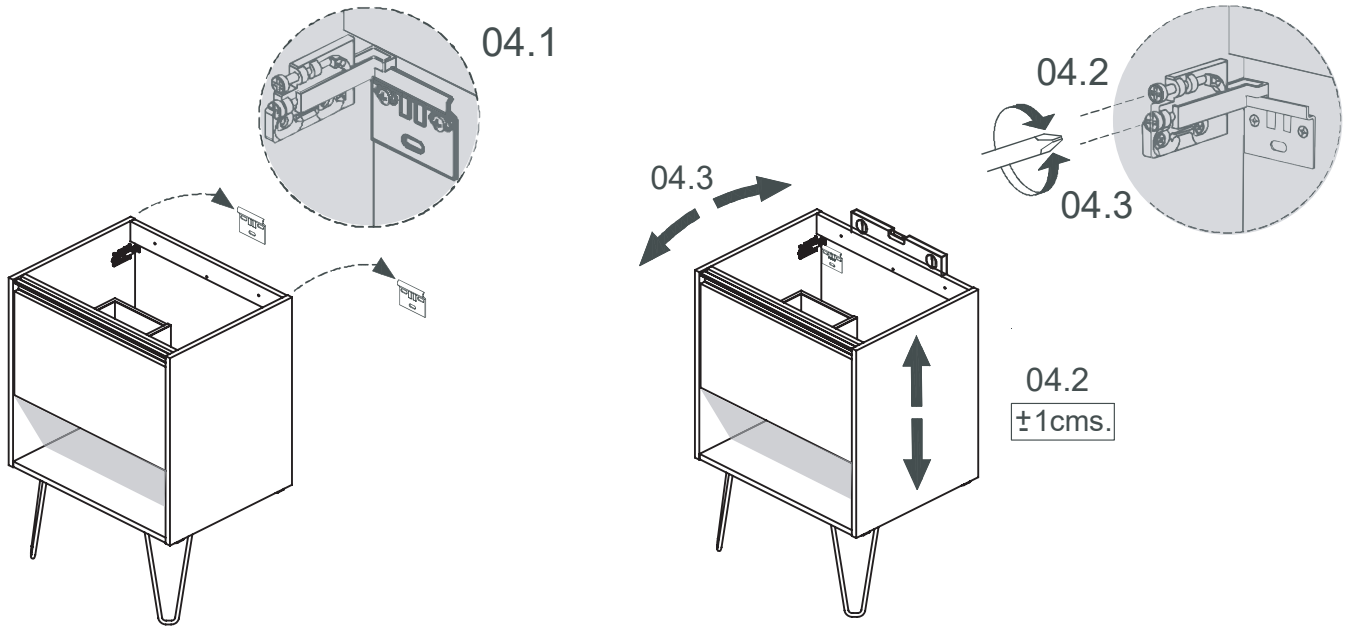
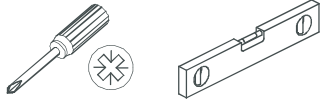
03.1



03.2



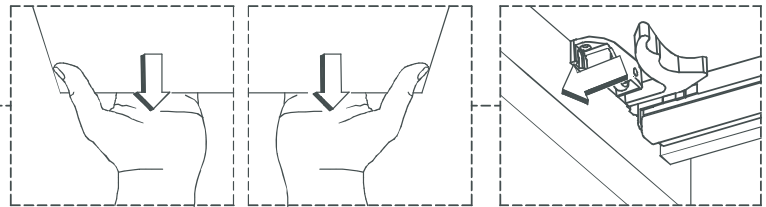
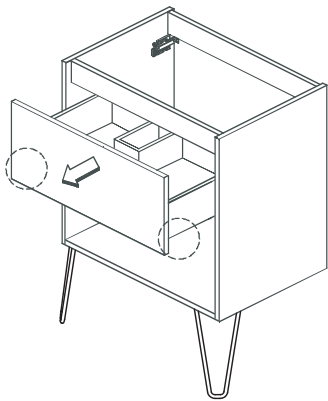
# 04.



# 05.

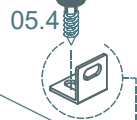
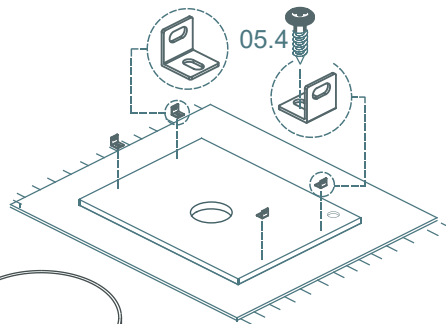
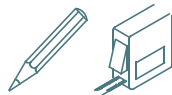


05.1

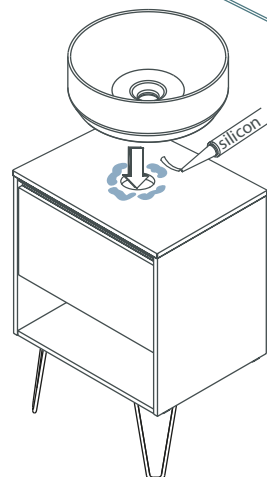


05.2

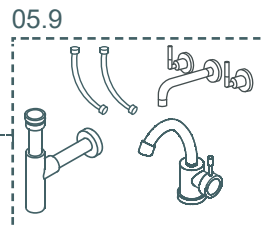
05.3



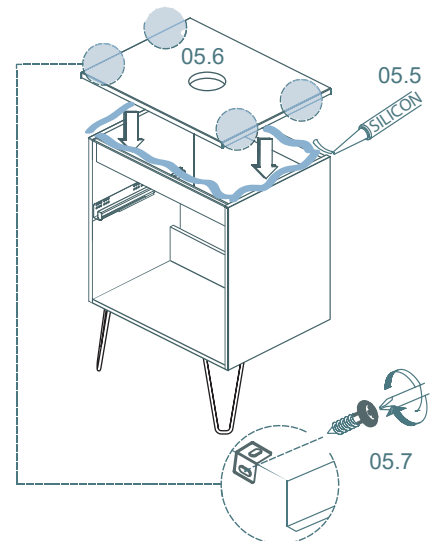
05.4



05.8



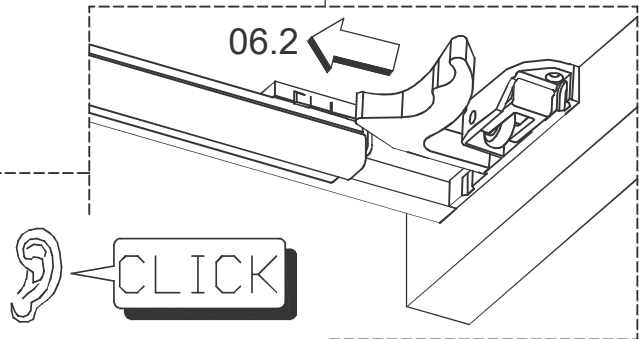
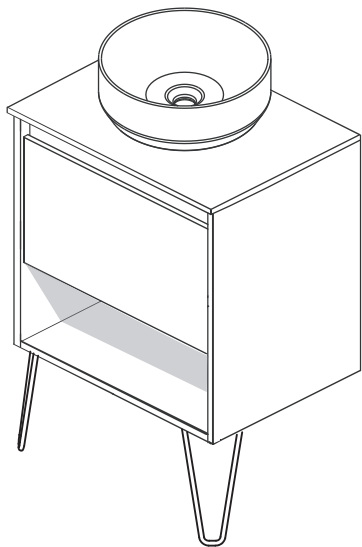
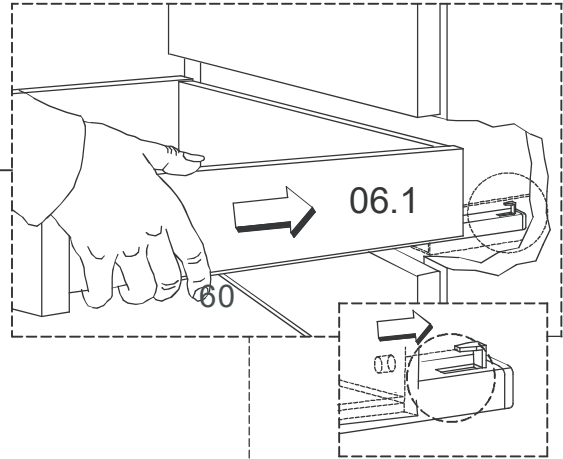
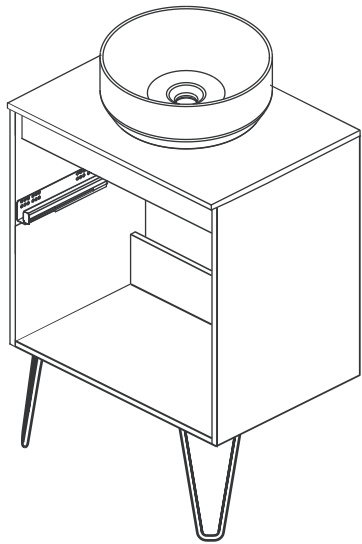
05.9



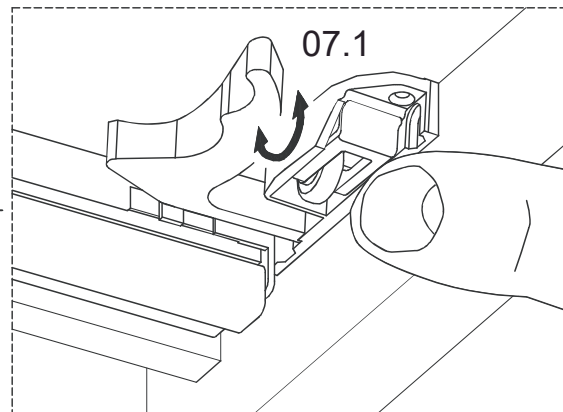
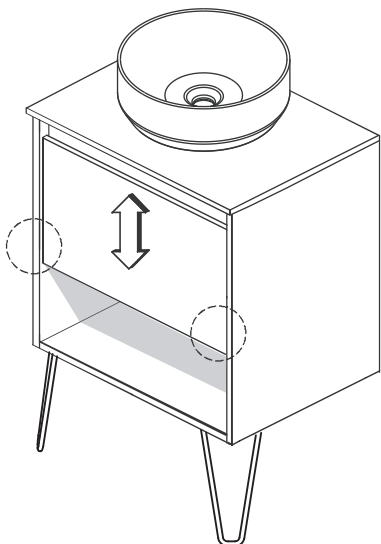
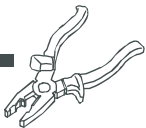
05.5

05.7

# 06.



# 07.



## Posizionamento del sifone:

